

Password Door Lock

User Manual



Introduction

Password plus Mifare card office/ smart home security locks is one of the components for IC card system. The Mifare card can be used on another card equipment. The lock system is powerful and easy to use, can achieve more than one card door, more than one card to open the door, and the door is set to normally open, leave the door lock (the door is not locked), the door will automatically alarm. Password, open the door and remove all the cards formulated by the user, to minimize security vulnerabilities. The system uses Mifare card, proximity card is a popular type (such as residential parking, etc.). The door lock is widely used in modern offices, office buildings, residential apartments, villas, etc.

Main features:

- Card Type: Mifare proximity card
- Touch keys password
- Microwave mode detection cards close
- Unlock mode can set your own: Mifare cards and password can unlock the independently / Mifare card and password to unlock the same time
- Card store in lock, no system software, set up two management cards, 200 door card
- The password can modify, easy management, 50 user password
- Password support garbled input, can enter up to 32
- Passage Feature, keep the door open for passby
- Door "false lock" alarm
- Low power alarm
- Battery-powered, external emergency power supply.

Main Specifications:

- Operating voltage: 6.0V (4 alkaline batteries)
- Static power consumption: <100uA
- Dynamic power consumption: <300mA
- Battery life: 10 months (section 45 # genuine alkaline batteries)
- Low Voltage Notification: 4.8V
- Read Card Range:> 25mm
- Operating Temperature: 0 ° C - 70 ° C
- Operating Humidity: ≤80%

Opening Mode

Mifare Keypad door lock system has the following two modes:

→ Standalone: Use a user password or a Mifare card to unlock door, any of them can work alone.

→ Combined: Mifare cards and password should be used together to open the door lock.

Switch Modes:

1. The lock after factory reset initialization open mode is standalone.

1.1 Switching from stand-alone to combined operation mode is as below:

Enter Management Password → Press Key Button → Press 6 → Press Key Button. To exit press the * key;

1.2 Combined Mode switch to stand-alone:

Enter Management Password → Press Key Button → Press 6 → Press Key Button

Management:

Add Management Card:

After Lock factory reset, the first Card swipe will become Management Card

Modify Management Password: (clear all users)

Enter Old Management Password → Press Key Button → Press 1 → Enter New Management Password → Press Key Button → Enter New Management Password → Press Key Button.

Add Users:

1. User password:

Enter Management Password → Press Key Button → Press 8 → Enter User Password → Press Key Button → Enter User Password → Press Key Button.

2. User Card:

Swipe Management Card **Two times** → Swipe User card 1 time to add, Keep swiping more cards can add a bulk of user, will auto give user card number to these cards according to swipe sequence.

Remove Users:

1. Remove one User Password:

Enter Management Password → Press Key Button → Press 4 → Enter The Previous Password of the one you want to remove → Press Key Button. Keep enter more to continue delete more.

2. Remove All User Password

Enter Management Password → Press Key Button → Press 0 → Press Key Button → Press 0 → Press Key Button.

3. Remove one User Card

Swipe Management Card 3 Times → Swipe The Card want to remove. Swipe more to continue remove more.

4. Remove a Lost User Card

Swipe Management Card 4 Times → Swipe Previous Card of the one Lost.

5. Remove All user Cards:

Swipe Management Card 5 Times.

Open Door:

1. Stand-alone mode opening:

- a. Swipe a user card, lock will unlock for 5 seconds, after that auto close
- b. Entry a user password, and then press key button, Lock will unlock for 5 seconds, after that will auto close
- c. During the 5 seconds unlock status, user can operation below function:
Modify password: Press 1→Enter New Password→Press Key Button→Enter New Password→Press Key Button.
Activate Passage Mode: Press 3→Press 7→Press Key Button. Lock will keep unlock, During the time, Enter a user password or Swipe a user card will lock the lock again.

2. Combined mode opening:

- a. Use management password or management card to unlock, single use, not need to combine
- b. Enter user password and swipe a user card to unlock, or swipe the card firstly and then enter password.

Note: In combined mode not allow to modify password

If input incorrect password for 5 times, keypad will lock up 2 minutes.

Enter 37→Press Key Button to activate Passage mode.

Other Functions:

1. Invalid user password notification: 3 Beep with Red LED flash
2. Invalid user card notification: 6 Beep with Red LED flash.
3. Low Power notification: When open the door, 3 Long Beep sound with Red LED Flash, please replace new batteries ASAP.
4. Garbled input password function: Allow user to enter any digits before and after the correct password, to make the password mixed in a long number, increase security, the number max up to 32 digits. For example, a user password is 123456, can enter 0987457[123456]546586, any length within 32 digits to unlock the door.

Hardware Installation

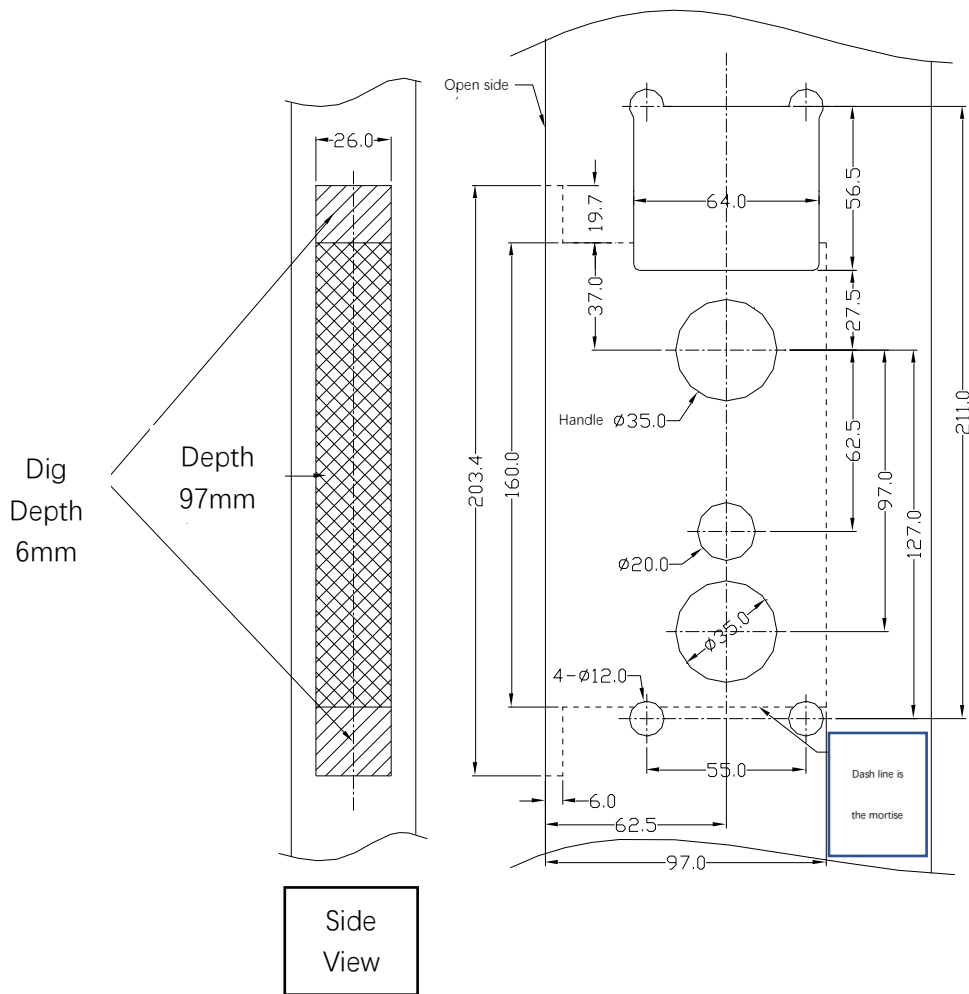
1. Opening holes on door:

Please drill the holes on door for installing the lock. Each model might have different dimensions , Each lock should come with a 1:1 card, if not, please contact your supplier to provide you one (by .PDF file, can 1:1 print) that match your lock.

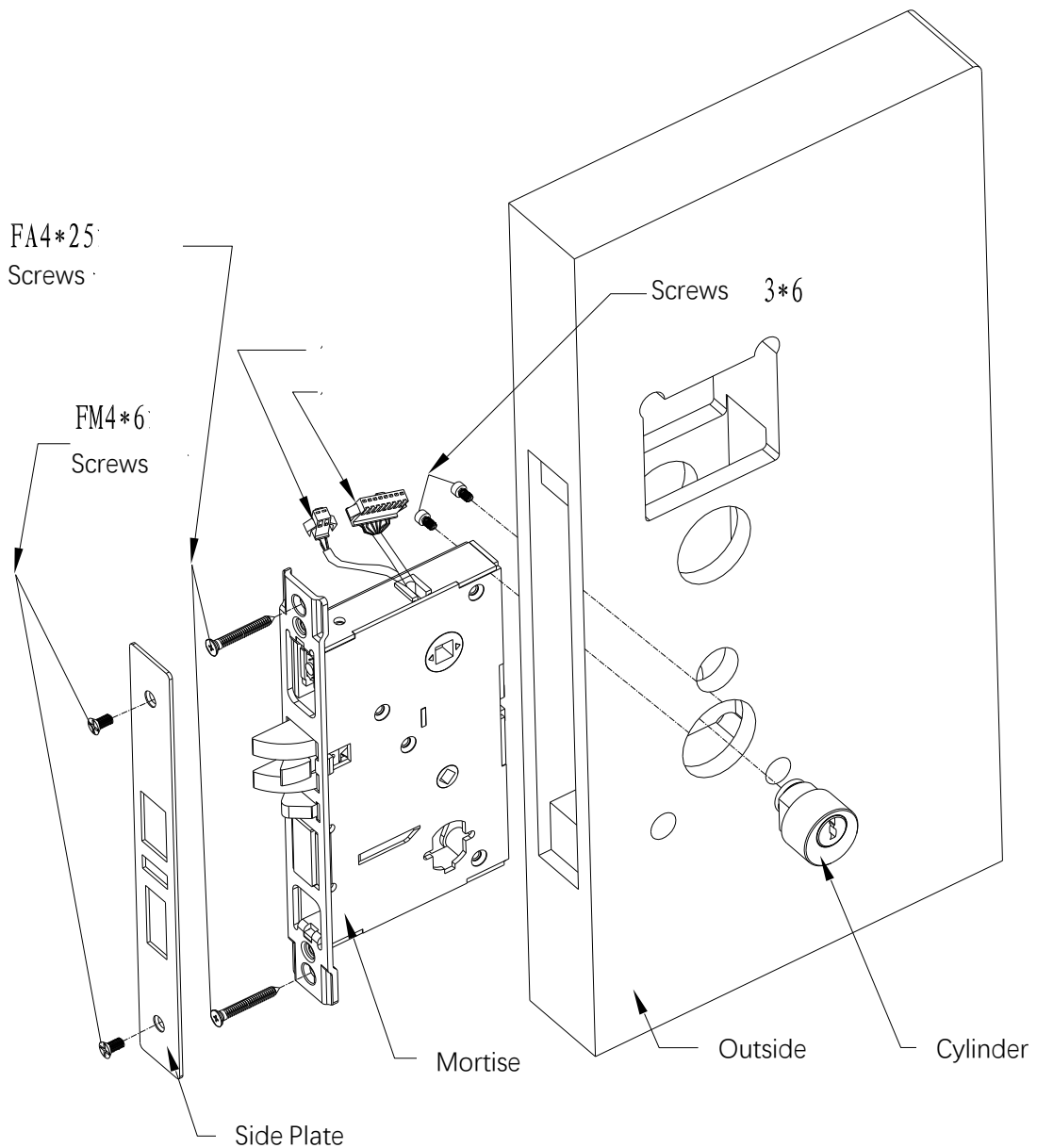
Below is just an Example of Model JCH118,

1. Find the card like below in the package or print one .

Drill Holes on door like image on next page according to the card.



2. Install the mortise as below shows:
 - A. The electronic cables on the upper side, wire them through the holes , make sure the cables go through the hole.
 - B. Use the 2 FA4*25mm Sharp screw to fix the mortise on the door.
 - C. Then Fix the side plate to the mortise with 2 pcs FA4*6 screws.
 - D. Put the cylinder into the hole on mortise from front side, then fix it to mortise with the 2 PCS 3*6 security screw from the back(use the L driver).
 - E. Use the mechanical key check its unlock function, make sure it can work with unlock and lock up before proceeding next step.



3. Install front and back panel.

A. Check the handles before install, ensure it can turn properly.



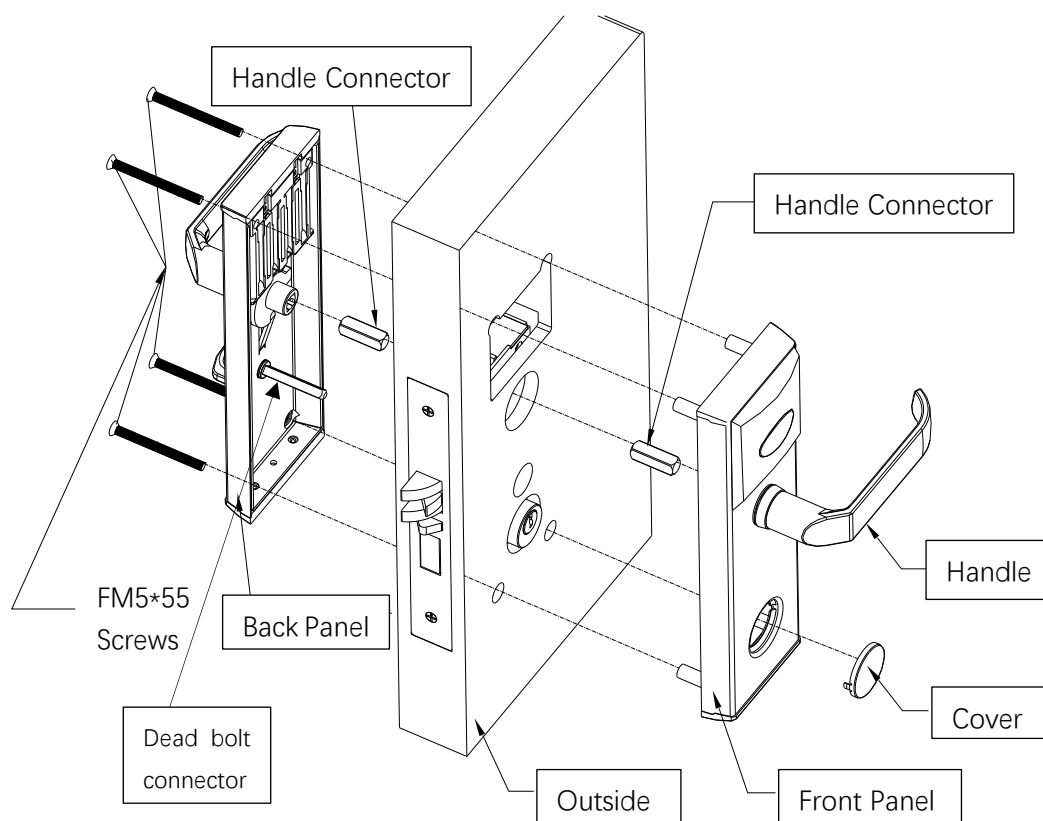
B. Put the rectangular handle connector in the mortise hole , ensure that the triangle mark level and point same direction as the bolt(point to the strike plate direction).

C. Connect the 8 pins wire to the front panel, the rectangular handle connector into the handle hole of the front panel.

D. Connect the 2 pins cable to the battery case on back panel(if have battery in case, will give 2 beeps, check battery if no sound).

E. Put in the rectangular handle connector and the dead bolt rectangular connector in the holes of the mortise and fix the back panel to them.

F. Drive in the 4 pcs FM5*55 screws from the back panel to the front panel, adjust the panel balance and then drive them fixed.



4. Install strike plate

On level height to the bolts, of door frame , dig a hole on the door frame suitable for the strike plate and box. Put in the plastic latch box , drive the 2 FA4*25 Screw to fix the strike plate to the door frame.

